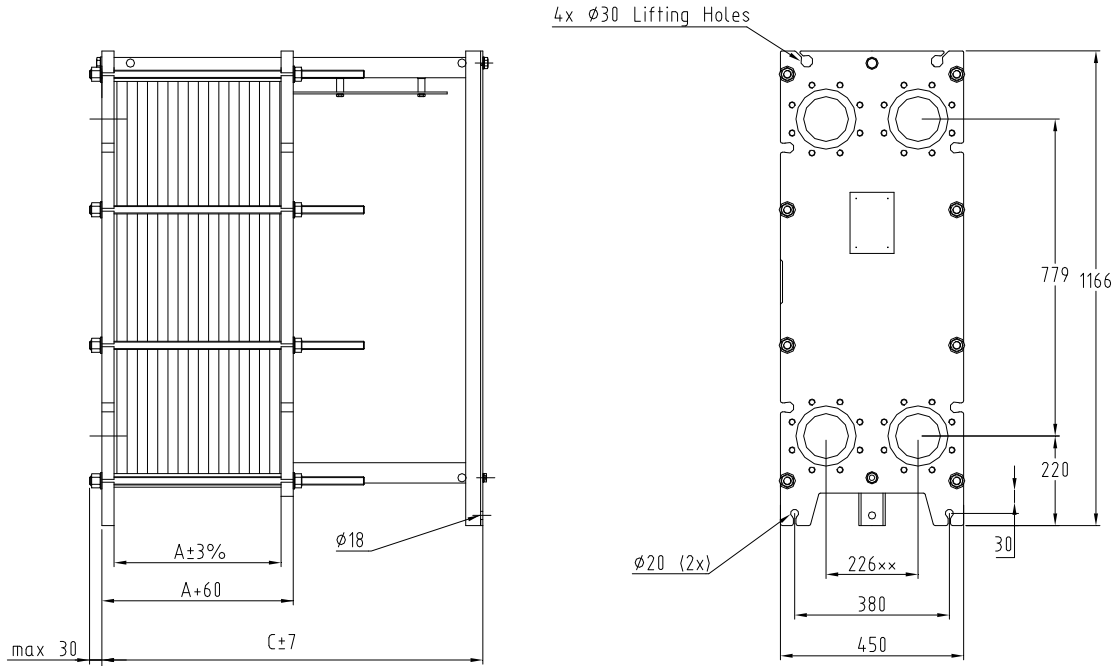


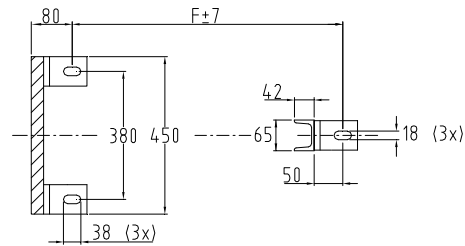


PLATE HEAT EXCHANGER  
GX-26N Non CE  
DIMENSIONS, MM



xx For ANSI B 16.5 #150lb C/C=231

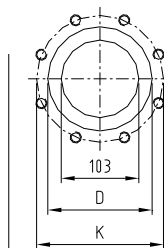
For fixing to ground use for example L80x40x8 (not supplied)



The Plate Heat Exchanger has 4 connections as standard and should be installed with min. 600 mm space on both sides for service work.

Subject to alterations without prior notice.

Available connections.



Conn. fits	K	D	Threaded	No. of bolts
DIN x	180	148	M16x25	8
ANSI x	190.5	148	5/8"UNCx25	8
JIS 10K	175	148	M16x25	8
JIS 5K	165	143	M16x25	8

x EN1092-1 PN 10/16  
ANSI B 16.5 # 150lb

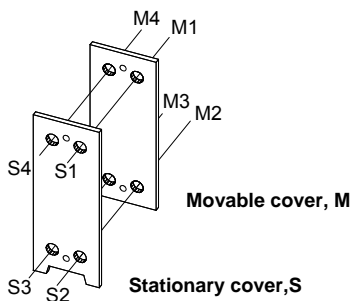




PLATE HEAT EXCHANGER  
**GX-26N Non CE**  
DIMENSIONS, MM

Standard connection dimension	DN100								
Non CE restrictions:	LIQUID (group 1): 200 (bar*litre)								
Max Allowed pressure*volume (bar*litre) for different media groups (one side volume).	LIQUID (group 2), for water ≤110°C: 10000 (bar*litre)								
For information: Volume per channel is 0,86 litre (GX)	GAS (group 1): 25 (bar*litre)								
	GAS (group 2), for water >110°C: 50 (bar*litre)								
Tightening bolt	M20								
No. of long tightening bolts (T <sub>L</sub> )	4								
No. of short tightening (T <sub>S</sub> )	4								
Cover thickness	30 mm								
Weight of guiding bar	2,2 kg/m								
Weight of tightening bolt	2,0 kg/m								
A-dimension	3,8*n mm								
C-dimension	LG + 36 mm								
F-dimension	LG + 6 mm								
Weight plate+gasket (W)	<table style="border: none;"> <tr> <td style="padding-right: 10px;">AISI 304/316 0,5 mm</td> <td>1,4 kg</td> </tr> <tr> <td>AISI 304/316 0,6 mm</td> <td>1,7 kg</td> </tr> <tr> <td>Titanium 0,5 mm</td> <td>0,9 kg</td> </tr> <tr> <td>Titanium 0,6 mm</td> <td>1,1 kg</td> </tr> </table>	AISI 304/316 0,5 mm	1,4 kg	AISI 304/316 0,6 mm	1,7 kg	Titanium 0,5 mm	0,9 kg	Titanium 0,6 mm	1,1 kg
AISI 304/316 0,5 mm	1,4 kg								
AISI 304/316 0,6 mm	1,7 kg								
Titanium 0,5 mm	0,9 kg								
Titanium 0,6 mm	1,1 kg								
Weight Frame	291+n*W kg								

Max No of plates	LT <sub>L</sub>	LG	C	F
20	250	400	436	406
27	375	400	436	406
42	375	600	636	606
60	500	600	636	606
103	750	1000	1036	1006
125	1000	1000	1036	1006

LT<sub>L</sub> = Length of long tightening bolt, based on 6,1 x n + 118  
 LG = Length of guiding bar, based on 6,1 x n + 235  
 n = number of plates

Total max no. of plates	
AISI 304/316 0,5 mm	125

All data is based on plates with material AISI 304/316 and thickness 0,5 mm.