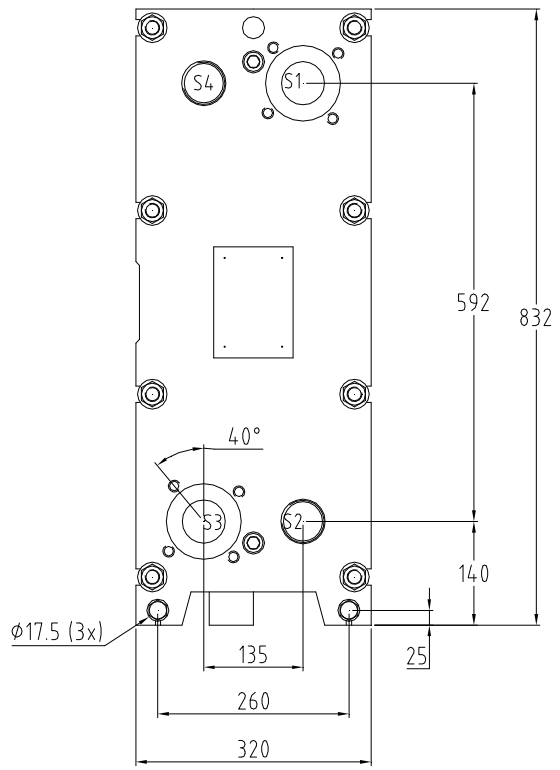
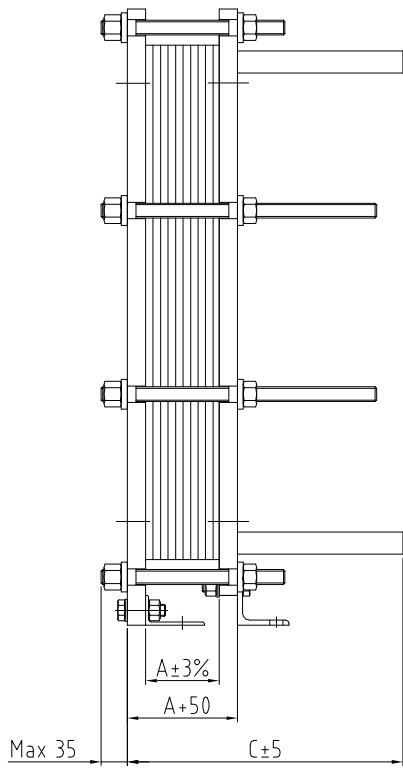


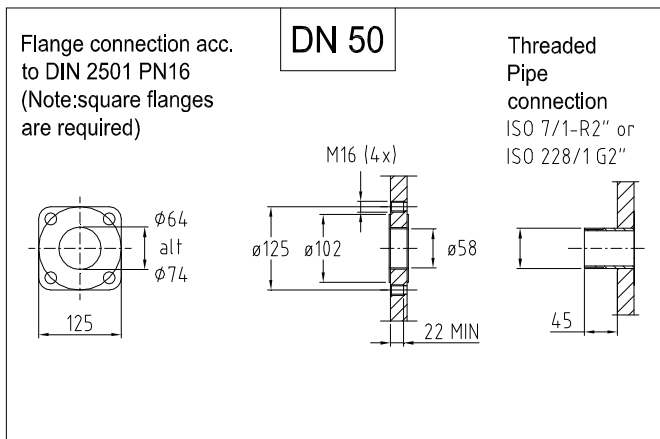


PLATE HEAT EXCHANGER
GC-16PI
DIMENSIONS, MM



Available connections:

- 4x flange connections
- 4x threaded pipe connections
- 2x flange connections / 2x pipe connections



The Plate Heat Exchanger has 4 connections as standard and should be installed with min. 600 mm space on both sides for service work.

Subject to alterations without prior notice.

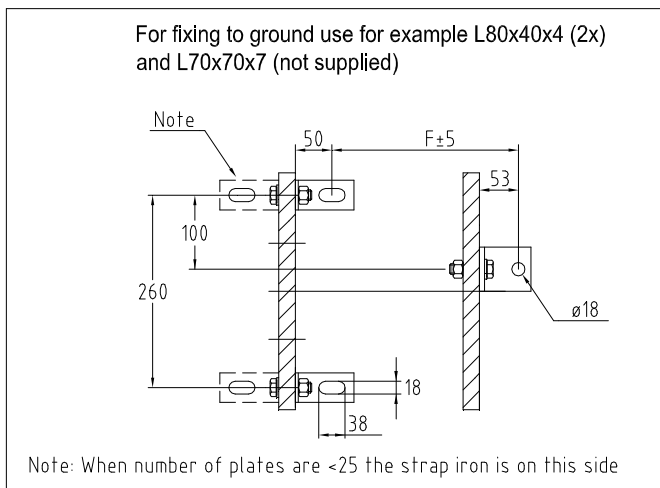
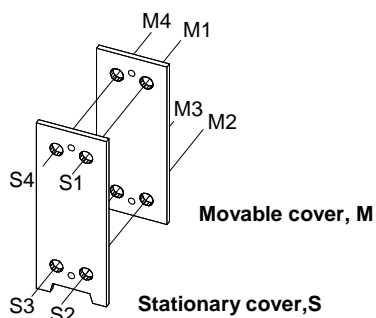




PLATE HEAT EXCHANGER
GC-16PI
DIMENSIONS, MM

Standard connection dimension	DN50								
Tightening bolt	M20								
No. of long tightening bolts (T _L)	4								
No. of short tightening bolts (T _s)	4								
Cover thickness	25 mm								
Weight of guiding bar	1,4 kg/m								
Weight of tightening bolt	2,0 kg/m								
A-dimension	2,35*n mm								
C-dimension	LG + 25								
F-dimension	A + 28								
Weight plate+gasket (W)	<table style="display: inline-table; border: none;"> <tr> <td>AISI 304/316 0,5 mm</td> <td>0,68 kg</td> </tr> <tr> <td>AISI 304/316 0,6 mm</td> <td>0,82 kg</td> </tr> <tr> <td>Titanium 0,5 mm</td> <td>0,40 kg</td> </tr> <tr> <td>Titanium 0,6 mm</td> <td>0,48 kg</td> </tr> </table>	AISI 304/316 0,5 mm	0,68 kg	AISI 304/316 0,6 mm	0,82 kg	Titanium 0,5 mm	0,40 kg	Titanium 0,6 mm	0,48 kg
AISI 304/316 0,5 mm	0,68 kg								
AISI 304/316 0,6 mm	0,82 kg								
Titanium 0,5 mm	0,40 kg								
Titanium 0,6 mm	0,48 kg								
Weight Frame	110+n*W kg								

Max No of plates	LT _L	LG	C	F
32	250	215	240	A+28
60	375	340	365	A+28
92	500	555	580	A+28

LT_L = Length of long tightening bolt
 LG = Length of guiding bar
 n = number of plates

Total max no. of plates	
AISI 304/316 0,5 mm	92

All data is based on plates with material AISI 304/316 and thickness 0,5 mm.