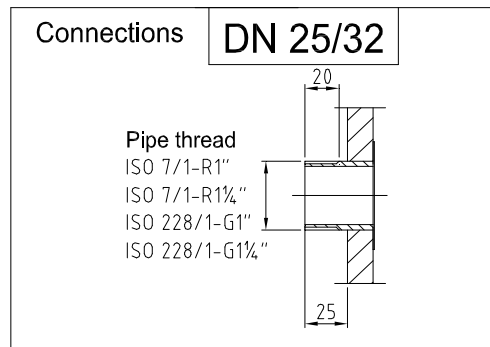
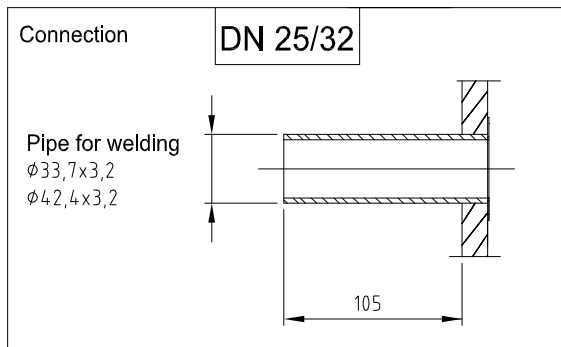
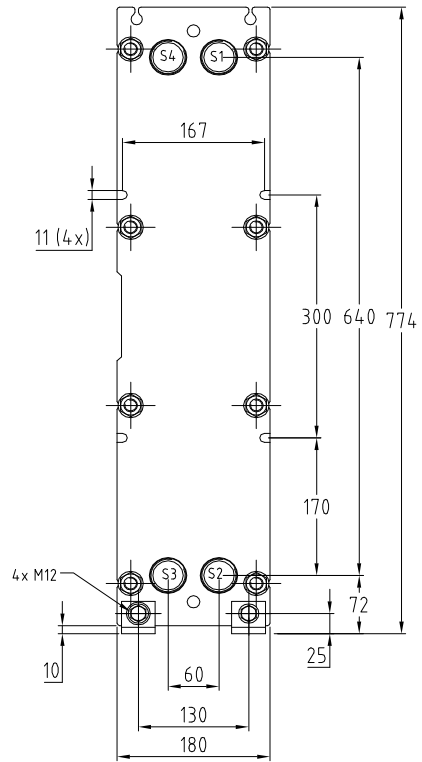
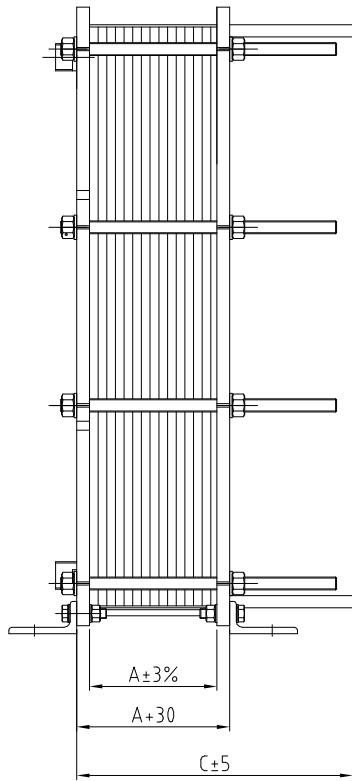




PLATE HEAT EXCHANGER  
GC-8PI  
DIMENSIONS, MM



The Plate Heat Exchanger has 4 connections as standard and should be installed with min. 300 mm space on both sides for service work.

Subject to alterations without prior notice.

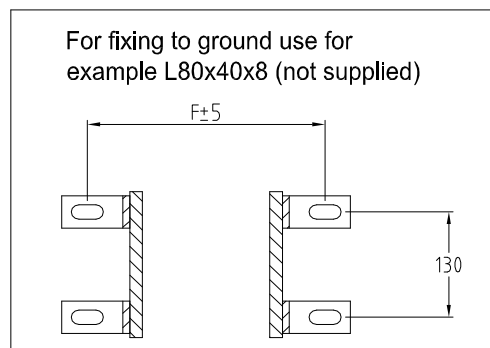
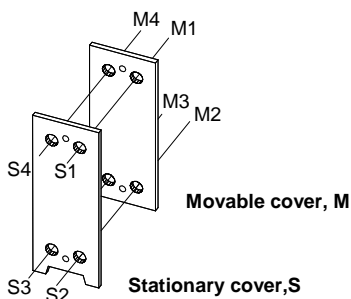




PLATE HEAT EXCHANGER  
**GC-8PI**  
 DIMENSIONS, MM

Standard connection dimension	DN25/32
Tightening bolt	M16
No. of long tightening bolts (T)	8
Cover thickness	15 mm
Weight of guiding bar	0,5 kg/m
Weight of tightening bolt	0,8 kg/m
A-dimension	2,5*n mm
C-dimension	LG + 15
F-dimension	A + 130
Weight plate+gasket (W)	AISI 304/316 0,4 mm      0,30 kg AISI 304/316 0,5 mm      0,36 kg Titanium 0,4 mm            0,19 kg Titanium 0,5 mm            0,22 kg
Weight Frame	30+n*W kg

Max No of plates	LT	LG	C	F
15	120	105	120	A+130
32	180	165	180	A+130
75	325	310	325	A+130
126	500	485	500	A+130

LT = Length of tightening bolt, based on  $3,4 \times n + 70$  mm  
 LG = Length of guiding bar, based on  $3,4 \times n + 15$  mm  
 n = number of plates

Total max no. of plates	
AISI 304/316 0,5 mm	126

All data is based on plates with material AISI 304/316 and thickness 0,4 mm.